

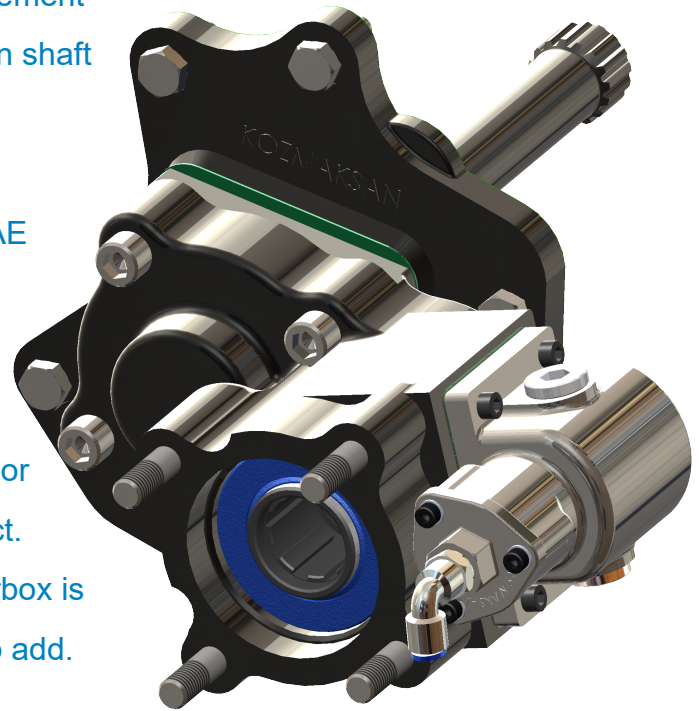
## Description

This PTO gearbox with tail connection has two axis single output. It is mounted on the main gearbox. The movement it receives from the main gearbox through the cardan shaft is transmitted through the gears in the gearbox. proportionally transmits it to the outlet.

Equipment output to ISO4 Bolt pump output UNI, SAE -B/B/BB, Key Shaft and coupled output can also be provided.

Pneumatic control for switching on/off This control is provided by the mechanism. Enabled-Disabled sensor on the mechanism There is also an option to connect.

Lubrication system with oil taken from the main gearbox is provided. After oil into the PTO It is not necessary to add.



## Technical Data

### Equipment Output

Maximum Power	33 kW / 44 HP
Maximum Torque	43,8 KGM / 430 Nm / 317 LBS-FT
Maximum Speed (rpm)	2000
Internal Rate	1/1.2
Connection Type	Tail
Weight (kg)	11
Application	Garbage Truck , Crane , Dump Truck , Platform , Sliding Frame Vehicle

## Compatible Main Transmission Brands-Models

Detroit DT 12-OH OA/OD / OC /DC



## Options

### OutPut Options

- Adaptörlü UNI 3 Cıvatalı pompa ba lantısı
- SAE B, BB adaptörlü pompa ba lantısı
- ISO 7647 - ISO 7646 adaptörlü flan lı pompa ba lantısı

## Ölçüler

